

INSTALLATION AND PRODUCT USE GUIDE



SEAGULL® IV X-1KF — DRINKING WATER PURIFICATION SYSTEM —

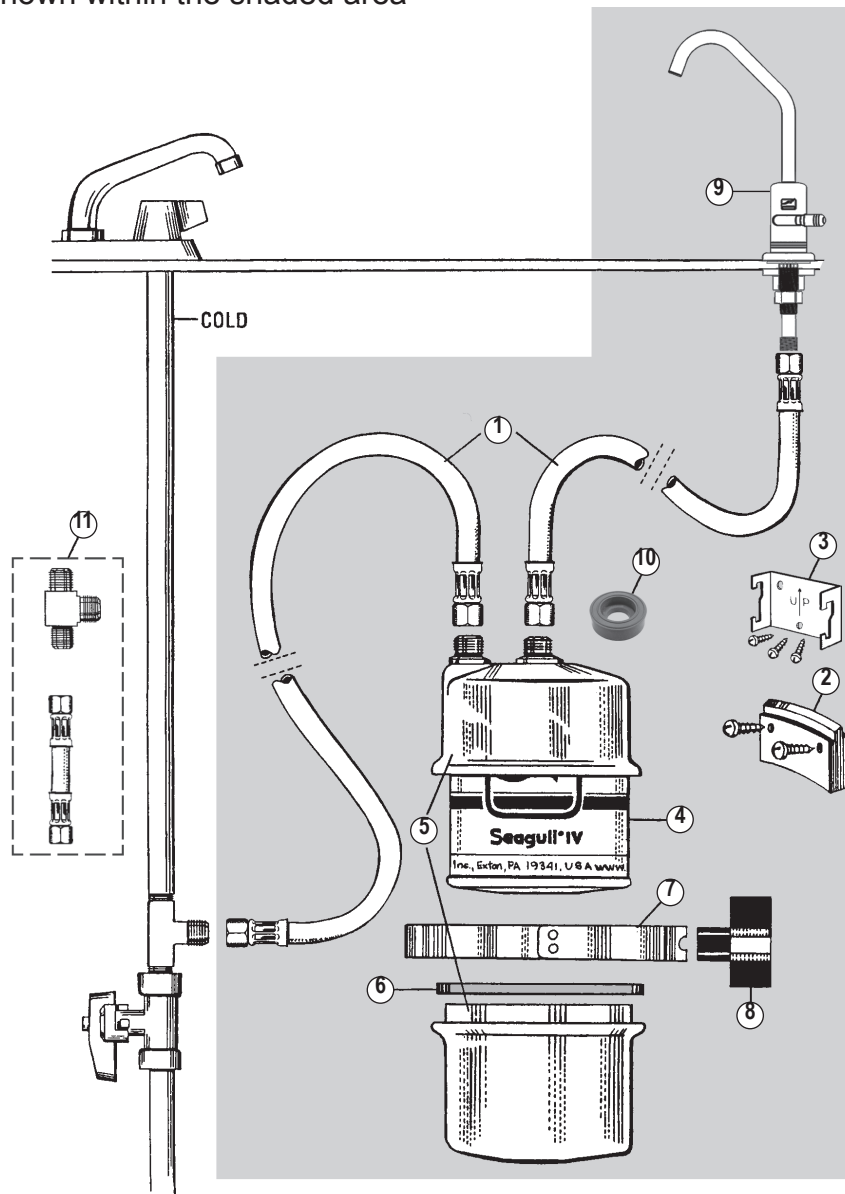
Read instructions completely before starting.

Before starting, check to make sure you have received all of the parts shown within the dashed lines for your system on the following pages. Follow steps 1 through 6 for installation. Steps A through F, found on page 8, are additional instructions for cartridge changing. Configuration dimensions are shown on page 7.

General Ecology, Inc.'s X-2KF and X-1KF drinking water purification systems are designed to operate 25 to 125 psi. For cold water use only.

X-1KF Drinking Water Purifier

Supplied Parts are shown within the shaded area

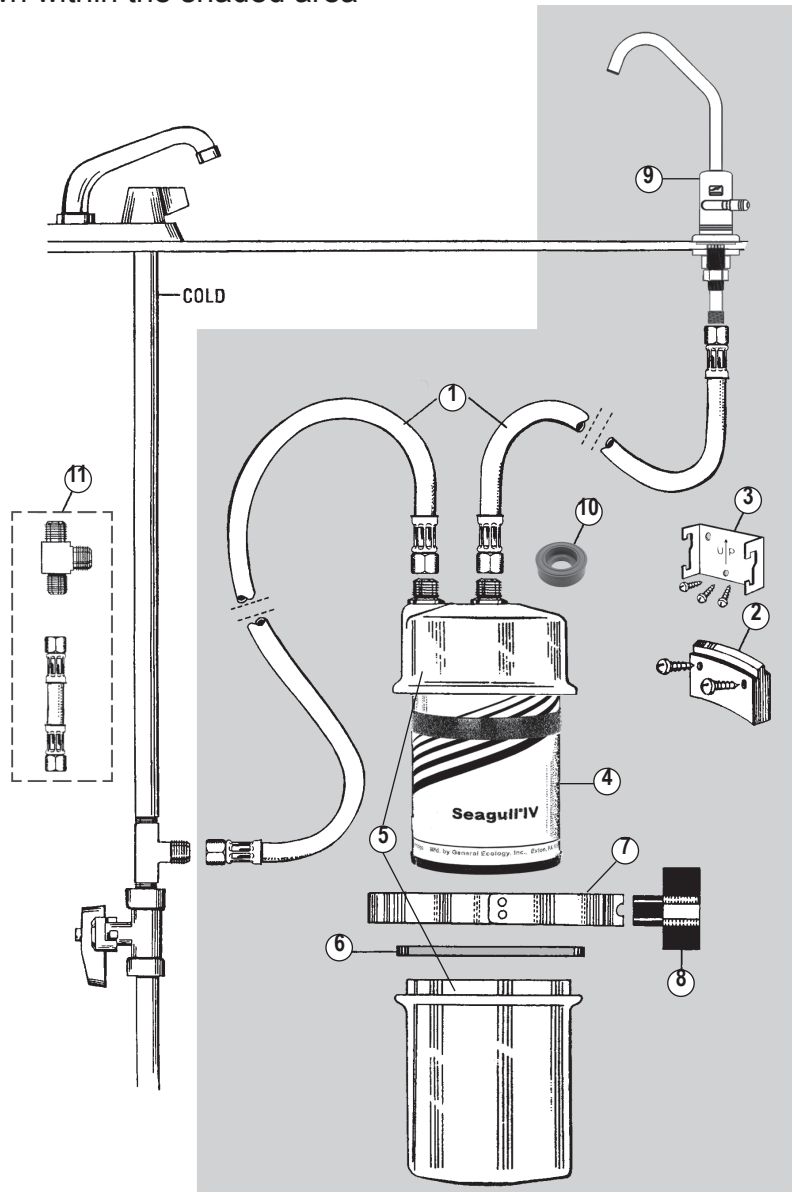


No.	Description	Qty.	Part No.	No.	Description	Qty.	Part No.
1	30" Female Compression Thread 3/8" Braided Connector Hose	2	800344	8	Wing Nut for V-Clamp	1	710032
2	Mounting Bracket Kit with 2 screws (<i>Residential</i>) or	1	700063	9	Esprit™ Designer Faucet	1	830440
3	Bracket Mounting Clip with 3 screws (<i>RV/Marine</i>)	1	700060	10	Gasket, Cartridge Blue	1	710553
4	RS-1SG Purification Cartridge	1	788000	Optional Accessories for either System – Not Included			
5	X-1 Pressure Vessel	1	—	11	6" Female Compression Thread 3/8" Braided Connector Hose with Male 3/8" Compression Tee	1	810320
6	Gasket, Housing Blue	1	710550				
7	V-Clamp for Housing	1	710534				

Visit our web site and order online at
www.generalecology.com

X-2KF Drinking Water Purifier

Supplied Parts are shown within the shaded area



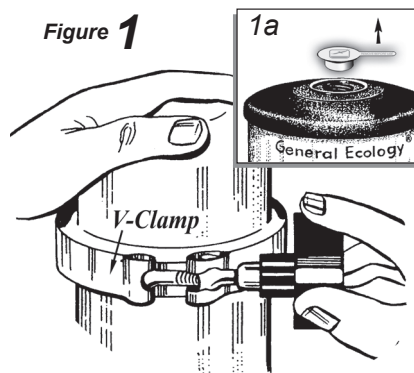
No.	Description	Qty.	Part No.	No.	Description	Qty.	Part No.
1	30" Female Compression Thread 3/8" Braided Connector Hose	2	800344	8	Wing Nut for V-Clamp	1	710032
2	Mounting Bracket Kit with 2 screws (<i>Residential</i>) or Bracket Mounting Clip with 3 screws (<i>RV/Marine</i>)	1	700063	9	Esprit™ Designer Faucet	1	830440
3				10	Gasket, Cartridge Blue	1	710553
4	RS-2SG Purification Cartridge	1	789000	Optional Accessories for either System – Not Included			
5	X-2 Pressure Vessel	1	—	11	6" Female Compression Thread 3/8" Braided Connector Hose with Male 3/8" Compression Tee	1	810320
6	Gasket, Housing Blue	1	710550				
7	V-Clamp for Housing	1	710534				

Visit our web site and order online at
www.generalecology.com

Installation Instructions Please retain for future servicing of your SEAGULL®IV Water Purification System

STEP 1 Install RS-2SG Purification Cartridge

Installing supplied purification cartridge into your new system, see page 8 instructions for replacements.

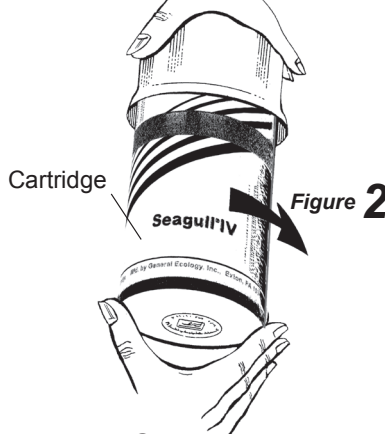


1. Open Canister.

Remove V-Clamp (Fig.1) and separate Pressure Vessel upper and lower halves.

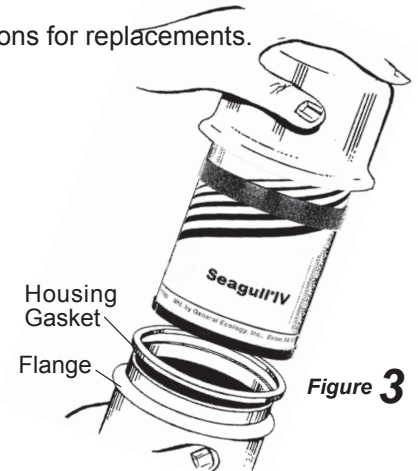
2. Remove Cover.

Remove small plastic protective cover from your new cartridge by pulling the tab end up (Fig.1a).



3. Install Cartridge.

Thread Cartridge (Fig. 2) into top half of Pressure Vessel (be careful not to cross thread) until contact is first made with Rubber Seal. Then tighten ¼ turn only. Do not overtighten. Be sure Pressure Vessel Flanges and Housing Gasket are clean and free of dents, nicks or cuts.



4. Reassemble Pressure Vessel.

Place Gasket on Flange on lower half of Pressure Vessel (Fig. 3) and reassemble V-Clamp keeping the Seagull IV logo upright. The Wing Nut on the Clamp should be tightened snugly, by hand only. Use no tools to tighten. Refer to Helpful Hints on page 8.

STEP 2 Connect to your existing Cold Water Supply

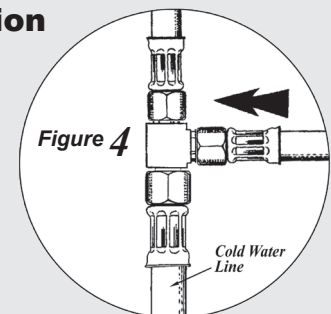
Turn off water supply before starting, follow instructions below that match your configuration.

Seagull IV X-1KF/X-2KF

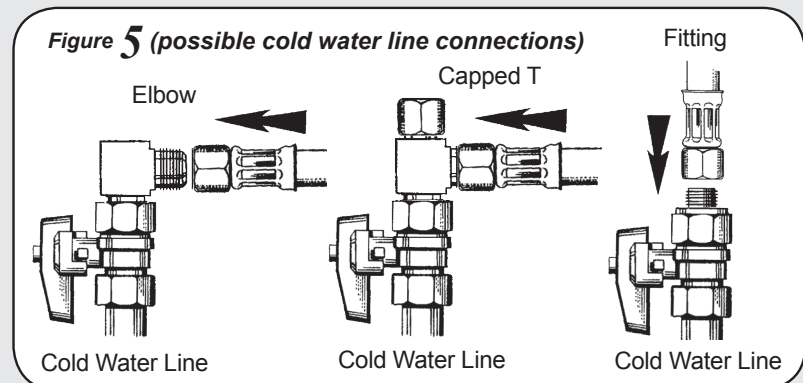
Systems, you may need to purchase a Compression T with 3/8" male fitting to install in the existing cold water line. See parts illustration on page 2.

For SGIV X-1KF Configuration

1. Connect side leg of installed Compression T with a Connector Hose. Tighten but do not overtighten.



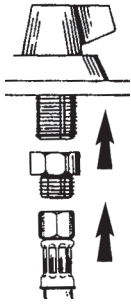
- **or**
1. Attach a Connector Hose to 3/8" Male Compression Fitting installed on the cold water supply line. **Do not overtighten.**



STEP 3 Connecting to existing Kitchen Faucet Configurations

Follow this step if you are using the X-2KB model

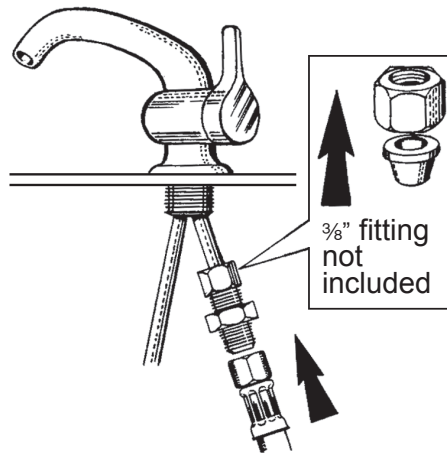
Figure 9



1. Install Connector Hose.

If kitchen faucet has $\frac{1}{2}$ " pipe thread stem, connect $\frac{1}{2}$ " Female Pipe Thread x $\frac{3}{8}$ " Compression Fitting to cold side of kitchen faucet (Fig. 9). Install Connector Hose to this Fitting. Tighten $\frac{1}{2}$ turn beyond "finger tight." Do not overtighten.

Figure 10



2. Install Connector Hose.

If kitchen faucet has $\frac{3}{8}$ " tubing tails, install a Compression Fitting (owner supplied), to cold water side being sure to seat "self-Align" Nut and Ferrule in proper orientation (Fig. 10). Install Connector Hose to Fitting. Tighten $\frac{1}{2}$ turn beyond "finger tight." Use wrench to hold Fitting—do not twist faucet tail.

STEP 3 Installation and Connecting X-1KF/X-2KF with Esprit™ Faucet

Follow this step if you are using the supplied Esprit faucet.

General Ecology, Inc. Esprit Faucet is designed to fit a mounting hole $1\frac{3}{8}$ " diameter.

If a suitable hole is not available, prepare by referring to Mounting Hole Pattern on page 7.

Cut out Mounting Pattern supplied on the following page and use for rough positioning. Tape pattern in place, then for final positioning place Faucet on pattern on top of sink and check for correct position of faucet body, spout and lever. Make sure of clearance, above and below sink before drilling mounting hole. Porcelain sinks require special care. For best results we suggest you contact your dealer or others with experience in making cutout in porcelain sinks. We have had good success with the following procedure. First cover the area being penetrated with masking or duct tape and from beneath drill a $\frac{1}{16}$ " pilot hole upward...a $\frac{7}{16}$ " hole and then a $1\frac{1}{8}$ " hole and finally the $1\frac{3}{8}$ " hole necessary to mount the faucet. For man-made and stone products consult counter top manufacturer's guidelines. For stainless steel sinks use a "Greenlee" type punch / die tool. If you do not have a "Greenlee" punch and are installing on stainless, follow the same procedure as on porcelain/cast iron sinks. Be sure sink ledge at drill hole is "flat" and burr free.

1. Loosen faucet stem nut and remove the split washer for step 4 of installation keeping the escutcheon plate in-place.
2. Attach connector hose to faucet stem and tighten $\frac{1}{2}$ to $\frac{3}{4}$ turn beyond finger tight.
3. Drop connector hose through mounting hole in counter top.
4. Slide split washer (Fig. 11) with indented surface facing up (used to center the faucet in the mounting hole), between bottom of countertop and faucet stem nut.

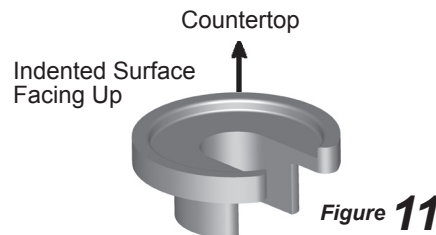


Figure 11

5. Slide the open end of the supplied wrench onto the faucet stem beneath sink. Slide the wrench up the stem; fitting the wrench on to the stem nut, (Fig. 12) position and orient the faucet, then turn the wrench to secure faucet.

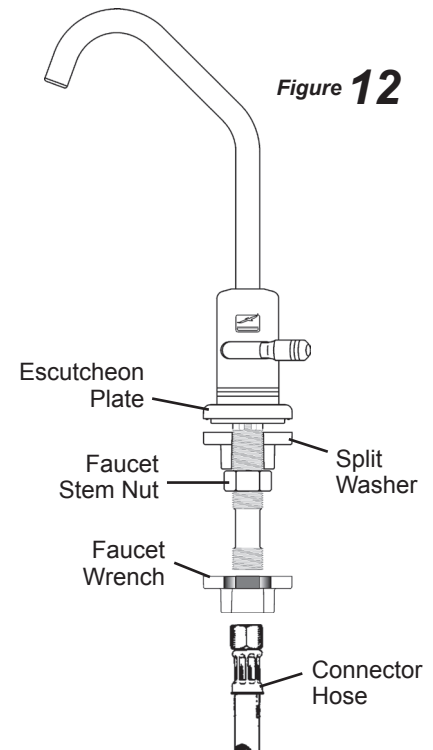


Figure 12

Faucet Wrench



STEP 4 Hose Connections to Vessel

Make sure the outlet hose going to your faucet is connected to the center outlet port.

1. Attach Connector Hose from the cold water supply valve to the Inlet Port on the Housing. Tighten connections (Fig. 13).

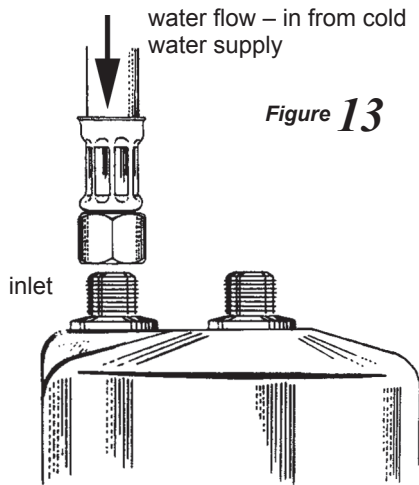


Figure 13

2. Attach Connector Hose from the kitchen faucet or installed Esprit Faucet to top fitting of Outlet Port (center outlet port). Tighten $\frac{1}{2}$ to $\frac{3}{4}$ turn beyond finger tight (Fig. 14). Do not over tighten.

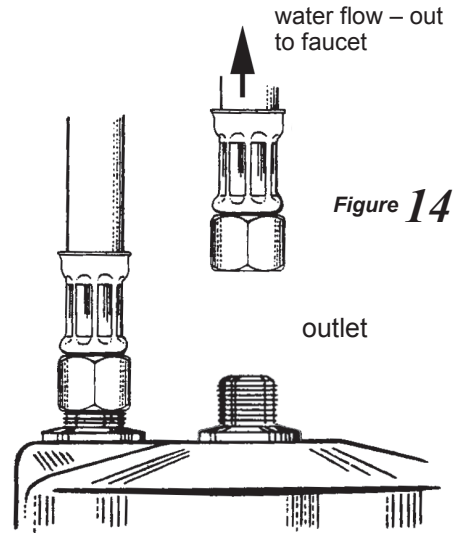


Figure 14

STEP 5 Mounting Bracket Installation

Check location for clearances and ease of access.

1. Install Residential Mounting Bracket or Clip Mounting Bracket. (Figs. 15-16) Position Mounting Bracket on the inside wall of the sink cabinet. Use the Self-Tapping Screws to securely install the Bracket. Make sure the Bracket location permits access to the cold water valve location and easy access for Cartridge changes.
2. Mount unit on the Residential Bracket by placing the V-Clamp over the raised section on top of the Bracket (Fig. 17).
3. Mount unit on the Clip Bracket as shown (Fig. 18). A cotter pin or other pin, or wire can be inserted in the bracket, above the V-clamp to lock in place (see arrow) after unit is completely on the bracket.

Figure 15

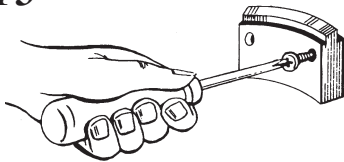


Figure 16

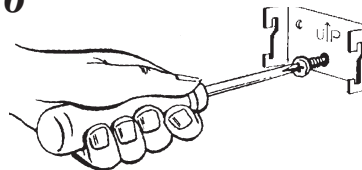


Figure 17

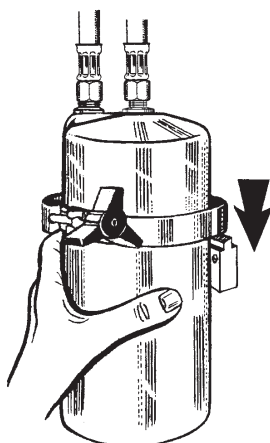
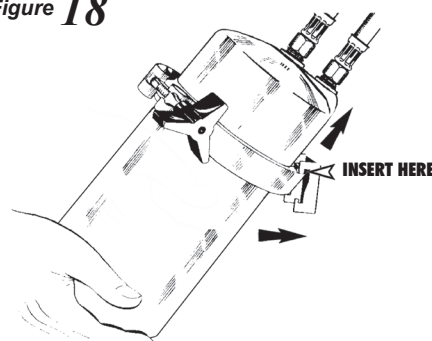


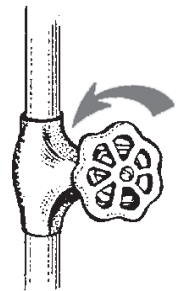
Figure 18



STEP 6 Operation

4. Open the X-1F Faucet to allow air to exhaust slowly. Open Valve on cold water service line (Fig. 19). Check for leaks. Allow water to run for several minutes to clear line and system of air and any loose materials. Please note that for the first few days you may see entrapped air bubbles within the water. This is perfectly normal and will cease after the unit has processed several gallons of water. Also, some black "fines" from inside of cartridge may flow with the first few gallons of water. These are harmless, if consumed, or may be discarded.

Figure 19



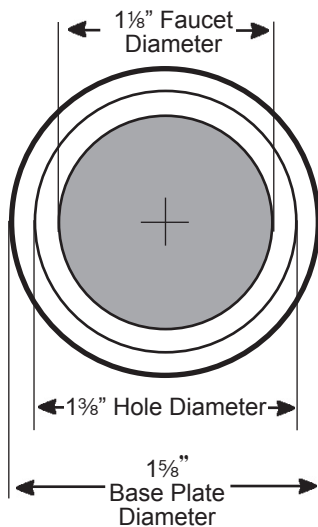
QUESTIONS?

Call 1-800-441-8166
for Customer Service

Faucet Care Instructions

General Ecology purifiers and faucets are manufactured with the finest components available. However, they require proper care to keep them looking their best.

If properly cared for, these finishes can provide a lifetime of elegance. Chrome finishes can be damaged by abrasive cleaners, in spite of their hardness. To clean faucet surfaces properly, use a small amount of a nonabrasive liquid detergent and a soft wet cloth. Gently rub the soiled surface until the dirt is removed. Then rinse clean and wipe with a dry soft cloth to remove water drops and to prevent spotting. Do not use any abrasive or pumice type cleansers to clean the surfaces of these faucets, or you may permanently scratch or otherwise damage the faucet coating. Hard water may leave mineral deposits or "water spots". If not cleaned regularly, these deposits may resist cleaning with simple liquid detergents. These can usually be removed using a small amount of vinegar applied directly and rubbing with a soft cloth. Heavy deposits may require repeated applications.

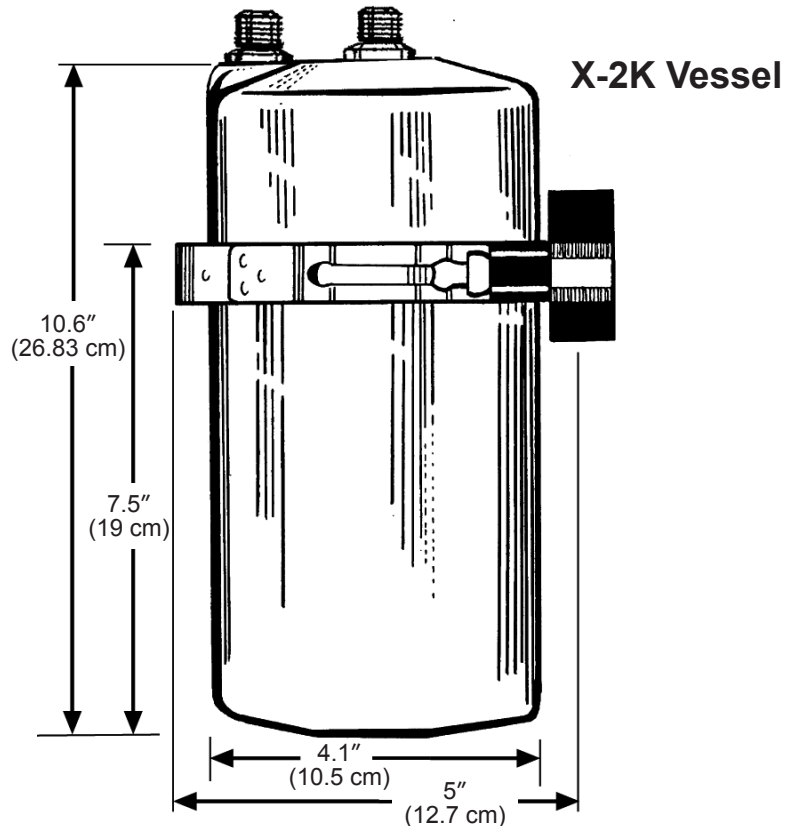


Mounting Hole Pattern

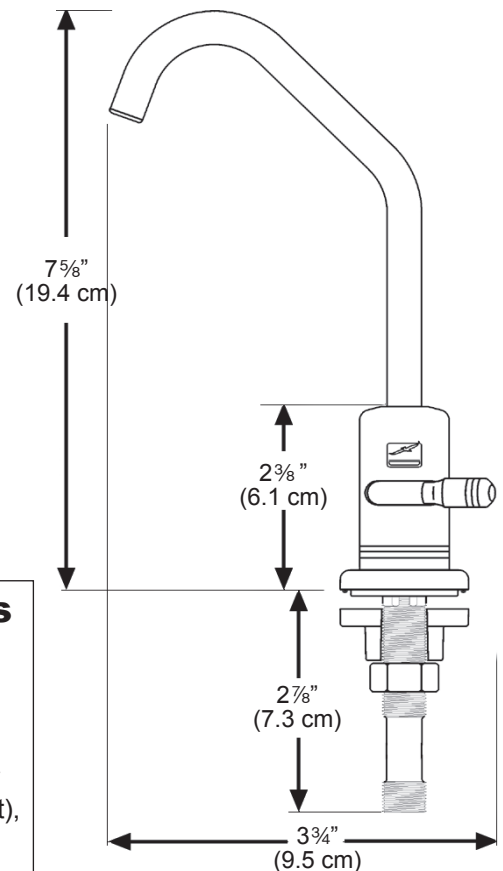
Esprit™ Faucet

Important: Cut out and tape the pattern shown above on the sink ledge to locate faucet hole. Check both above and below sink before cutting hole for clearance and possible obstructions.

SEAGULL® IV X-2K Dimensions



Esprit™ Faucet



Service Cartridges

If you cannot obtain a replacement cartridge from your kitchen and bath dealer, you can order directly by calling 800-441-8166 Monday – Friday between 8:00 am - 4:30 pm (est), or visit our on line store at www.generalecology.com

Cartridge Replacement Instructions

All Seagull®IV X-2 units employ the RS-2SG Cartridge. The rated average capacity for the RS-2SG Cartridge is 2,000 gallons*. Actual capacity will vary depending on operating conditions and the quality of the water source. Cartridges should be replaced when the flow rate decreases or when foul tastes or odors become apparent, or annually otherwise. Installing a Cartridge is easily accomplished as follows:



- A.** Close cold water supply valve.
- B.** Open Faucet, and keep it open until new Cartridge is installed and operating.
- C.** Remove unit from Mounting Bracket, place over a large sauce pan or other container, remove V-Clamp and drain loose water from Pressure Vessel. (If Pressure Vessel halves remain attached due to “set,” pull apart manually or momentarily allow a small amount of water to flow into the unit with the X-2KF faucet closed to separate the halves. If X-2KF faucet is closed, be sure and reopen before continuing with next step).
- D.** Remove expended Cartridge by placing plastic bag over it and turning counter clockwise. Close bag and discard. Rinse inside of Pressure Vessel with water and wipe clean with paper towel. Be sure thick Rubber Cartridge Seal is inside the top of the unit.
- E.** Align carefully, and being careful not to cross thread, thread new Cartridge into place UNTIL CONTACT IS FIRST MADE WITH SEAL, THEN TIGHTEN ONE QUARTER TURN ONLY. DO NOT OVERTIGHTEN. Please refer to **Step 1 and Figure 2.**

Reassemble the two stainless steel halves together, making sure the rubber Housing Gasket is in place between the two halves.

IMPORTANT: Make sure Gasket is not cut or nicked, and be sure housing has not been dropped or dented on either of the two mating halves.

- F.** Refer to **Step 6 on Page 7** to place unit back in service.

* performance may vary according to influent water quality

Helpful Hints

If you have difficulty separating the upper and lower halves of the pressure vessel, water pressure can help. Turn off cold water supply; remove the V-clamp and close the pure water faucet. With a pan ready to catch water from the unit, slowly turn on the water supply. Once the unit begins to separate, turn off the water supply and proceed according to your Installation and Operations instructions.

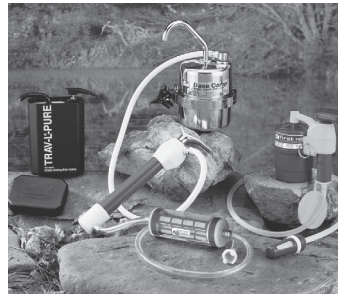
You may apply a light coating of petroleum jelly to the housing gasket to assure ease of opening and closing of the system.

When a new cartridge is put into service, you may see air bubbles and black particles in the water until the system has stabilized. These are harmless and will be purged from the system within the first few liters or quarts of water.

WARRANTY

Refer to the Warranty Card. Please remember to complete and return the Warranty Card within ten days of purchase. You can also register on line at www.generalecology.com

Other Great Products Available from General Ecology, Inc.



First Need® Portable Water Purifiers



Seagull®IV X6 Water Purification Systems



General Ecology, Inc.
A Loar Group Company



AS9100D: 2016, EN9001D: 2016, JISQ9100: 2016, ISO9001: 2015
Original Equipment and FAA PMA Manufacturer