

INSTALLATION AND PRODUCT USE GUIDE

SEAGULL® IV X-1

— DRINKING WATER PURIFICATION SYSTEM —



SEAGULL® IV X-2

— DRINKING WATER PURIFICATION SYSTEM —



Read instructions completely before starting installation.

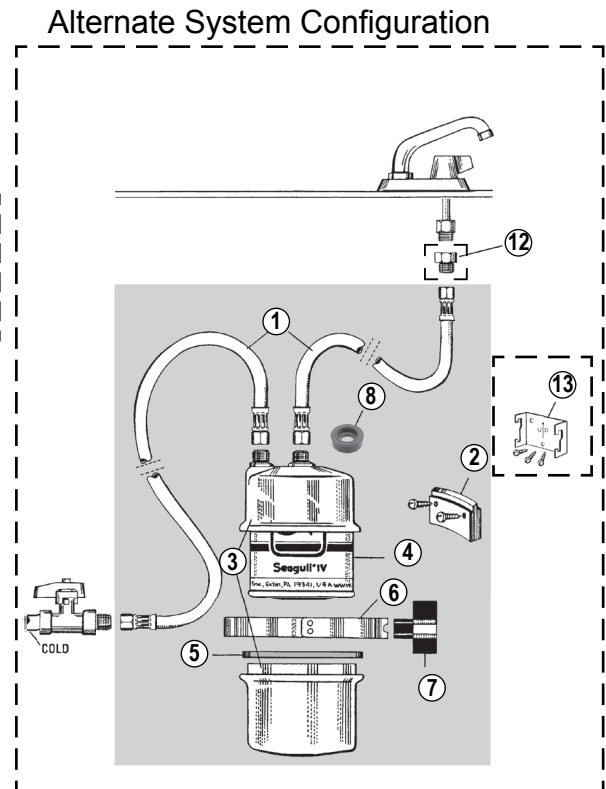
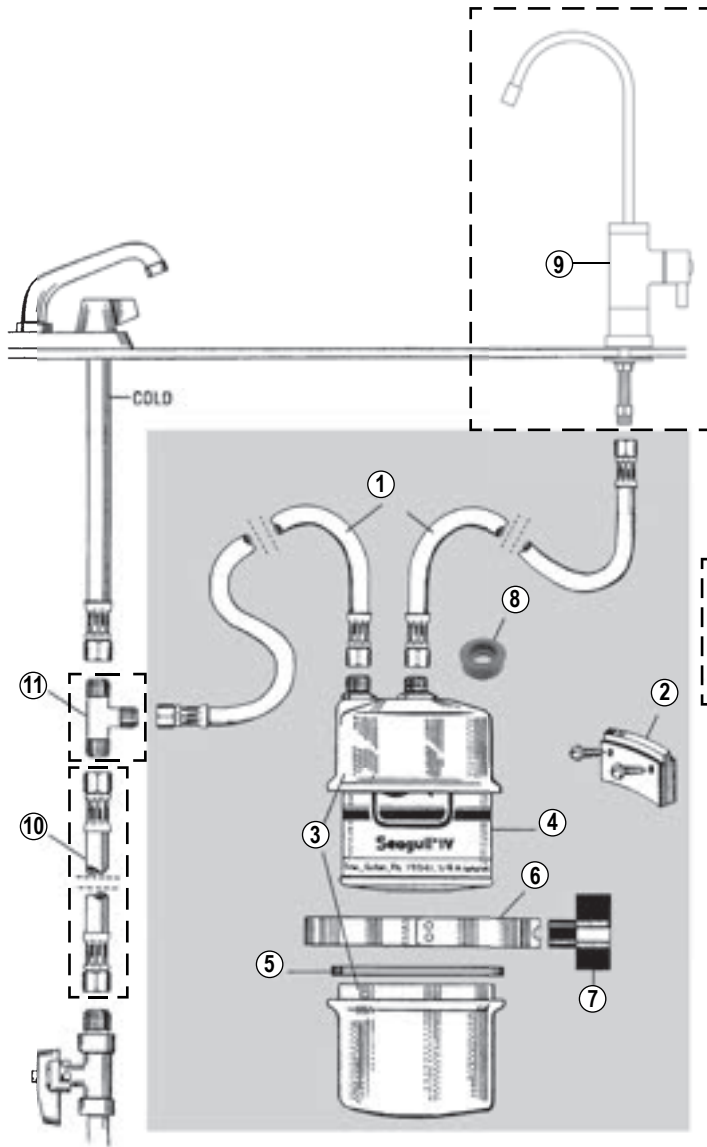
Before starting, check to make sure you have received all of the parts for your system shown on the following page within the shaded area. Configuration dimensions are shown on page 3. Follow steps 1 through 6 on page 4 for system instructions. Additional instructions on changing the purification cartridge can be found on page 8, steps A through F.

General Ecology, Inc.'s X-2 and X-1 drinking water purification systems are designed to operate 25 to 125 psi. For cold water use only.



Seagull IV Drinking Water Purifier Parts Diagram

Supplied Parts are shown within the shaded area

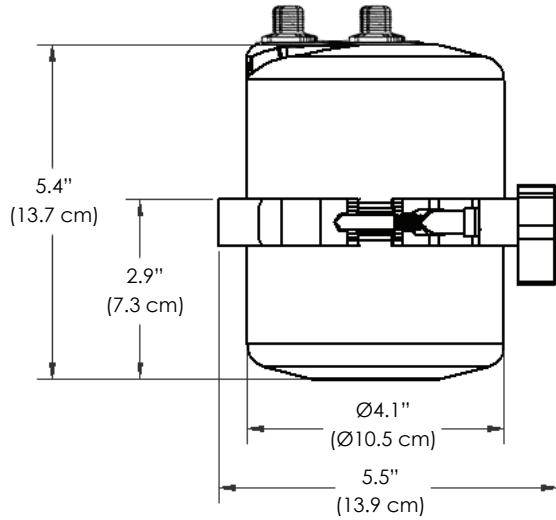


No.	Description	Qty.	Part No.	No.	Description	Part No.
1	36" Female 3/8" Compression Thread Braided Connector Hose	2	800354	Optional Accessories – Not Included		
2	Mounting Bracket Kit with 2 screws (<i>Residential</i>)	1	700063	9	Contemporary Faucet	7074**
3	X-1 or X-2 Housing	1	-	10	36" Female 3/8" Compression Thread Braided Connector Hose	800354
4	RS-1SG Purification Cartridge for X-1 RS-2SG Purification Cartridge for X-2	1 1	788000 789000	11	3/8" Compression Thread Tee	714360
5	Housing Gasket (Blue)	1	710550	12	1/2" FIP to 3/8" Compression Male Adapter	714140
6	V-Clamp for Housing	1	710534	13	RV/Marine Bracket Mounting Clip	700060
7	Wing Nut for V-Clamp	1	710032	Additional hoses, fittings, and accessories available		
8	Cartridge Gasket (Blue)	1	710553	Visit our web site and order online at www.generalecology.com		

Seagull IV Drinking Water Purifier Dimensions

Seagull IV X-1 and Seagull IV X-2 Systems shown

SEAGULL® IV X-1

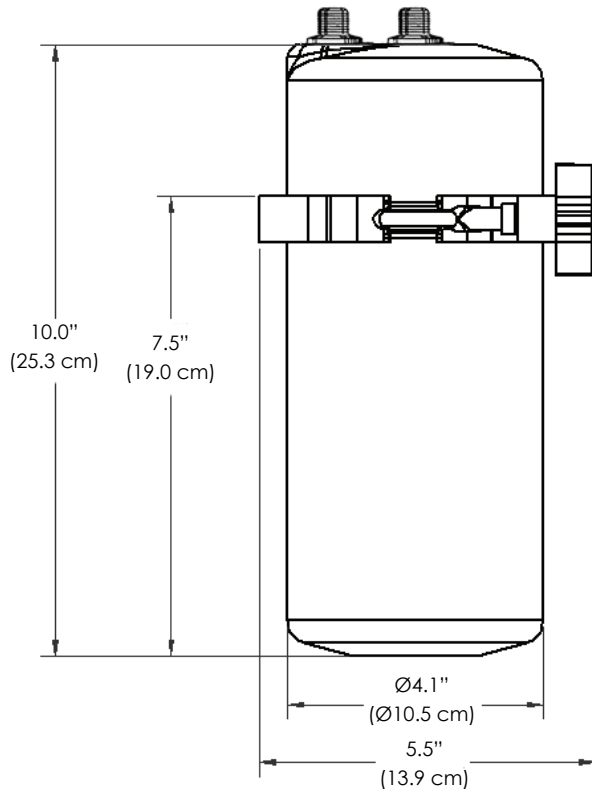


HOUSING

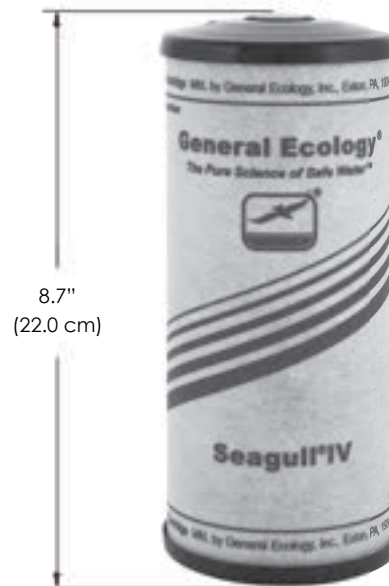


RS-1SG PURIFICATION
CARTRIDGE

SEAGULL® IV X-2



HOUSING



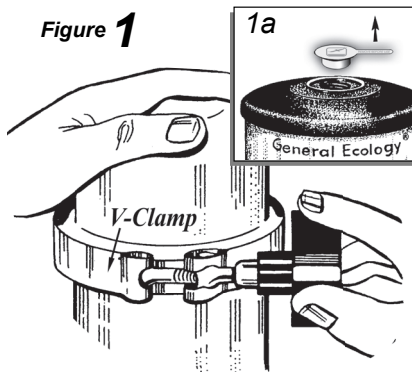
RS-2SG PURIFICATION
CARTRIDGE

Seagull IV Drinking Water Purifier System Installation Instructions

Please retain for future servicing of your system

STEP 1 Install Purification Cartridge

Installing supplied purification cartridge into your new system, see **page 8** instructions for replacements.

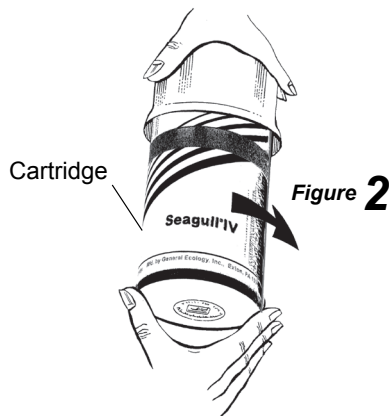


1. Open Canister.

Remove V-Clamp (**Fig.1**) and separate Pressure Vessel upper and lower halves.

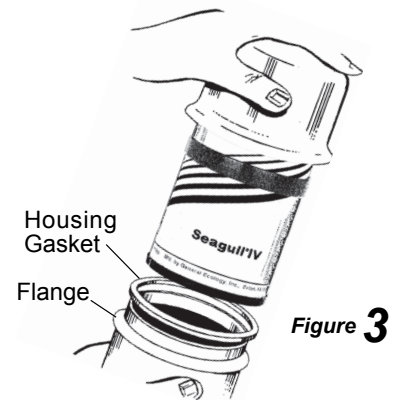
2. Remove Cover.

Remove small plastic protective cover from your new cartridge by pulling the tab end up (**Fig.1a**).



3. Install Cartridge.

Thread Cartridge (**Fig. 2**) into top half of Pressure Vessel (be careful not to cross thread) until contact is first made with Rubber Seal. Then tighten ¼ turn only. Do not overtighten. Be sure Pressure Vessel Flanges and Housing Gasket are clean and free of dents, nicks or cuts.



4. Reassemble Pressure Vessel.

Place Gasket on Flange on lower half of Pressure Vessel (**Fig. 3**) and reassemble V-Clamp keeping the Seagull IV logo upright. The Wing Nut on the Clamp should be tightened snugly, by hand only. Use no tools to tighten. Refer to Helpful Hints on **page 8**.

STEP 2 Connect to your existing Cold Water Supply

Turn off water supply before starting, follow instructions below that match your configuration.

Seagull IV X-1/X-2

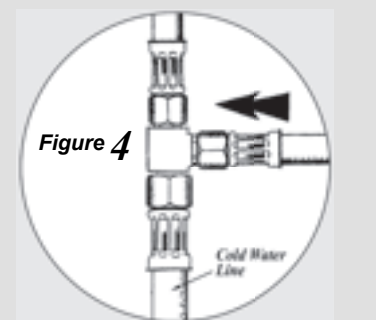
Systems, Additional adapter fittings may be required to connect into existing plumbing depending on the connection type.

Visit www.GeneralEcology.com for additional adapters available or visit your local hardware/ plumbing supply store.

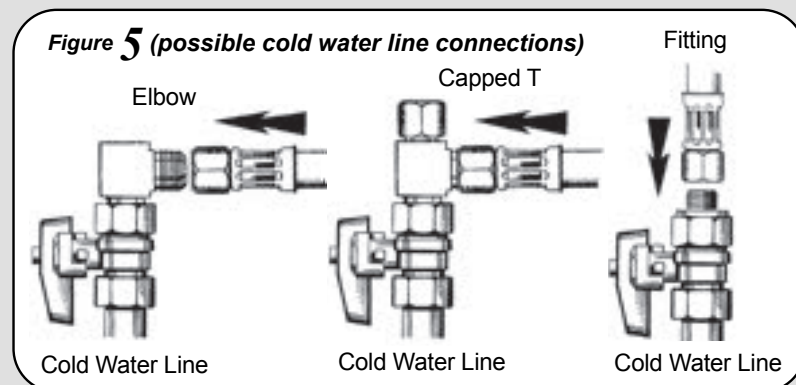
For Faucet Configuration

- 1. Connect** side leg of installed Compression T with a Connector Hose. Tighten but do not overtighten.

..... *OR*



- 1. Attach** a Connector Hose to 3/8" Male Compression Fitting installed on the cold water supply line. **Do not overtighten.**



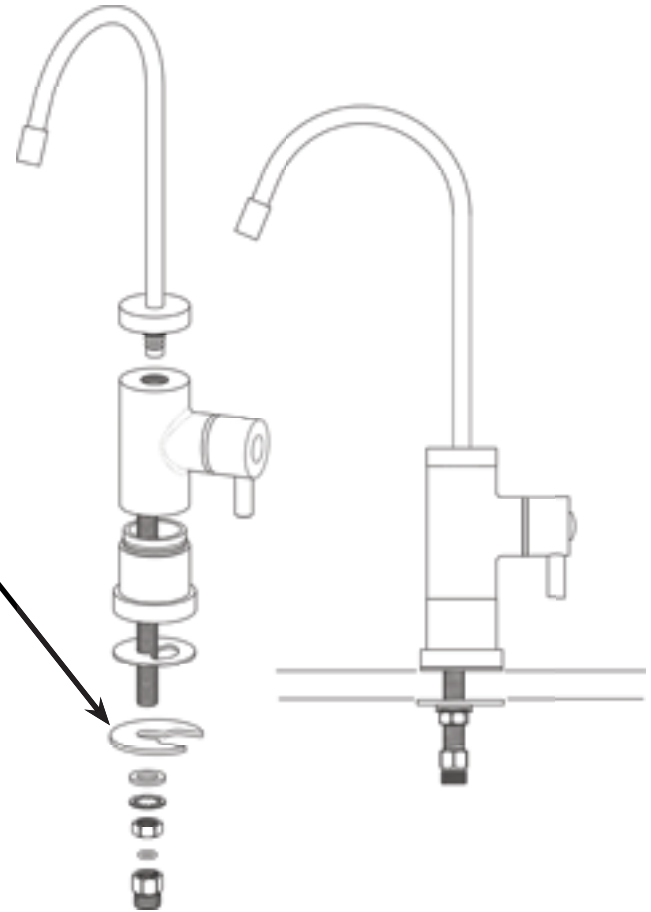
STEP 3 Installation and Connecting X-1/X-2 with Contemporary Faucet

Follow this step if you are using the optional Contemporary Faucet.

General Ecology, Inc. Contemporary Faucet is designed to fit a mounting hole 13/16" diameter. If a suitable hole is not available, prepare by referring to Mounting Hole Pattern on **page 7**.

Cut out Mounting Pattern supplied on the page 7 and use it for rough positioning. Tape pattern in place, then for final positioning place Faucet on pattern on top of sink and check for correct position of faucet body, spout and lever. Make sure of clearance, above and below sink before drilling mounting hole. Porcelain sinks require special care. For best results, it is suggested to contact a dealer or others with experience in cutting holes in porcelain sinks. The following procedure has had best results for customers. First, cover the area being penetrated with masking or duct tape and from beneath drill a 1/16" pilot hole upward...a 7/16" hole and finally the 13/16" hole necessary to mount the faucet. For man-made and stone products, consult counter top manufacturer's guidelines. For stainless steel sinks it is recommended to use a "Greenlee" type punch / die tool. Alternatively, the same procedure as on porcelain/ cast iron sinks can be used on Stainless Steel sinks. Be sure sink ledge at drill hole is "flat" and burr free.

1. Loosen the brass faucet stem nut and remove only the split washer for step 4 of installation.
2. Attach connector hose to faucet stem and tighten 1/2 to 3/4 turn beyond finger tight.
3. Drop connector hose with faucet attached through mounting hole in counter top. And position the faucet body on the counter.
4. Slide split washer, between bottom of countertop and faucet stem nut and tighten the brass faucet stem nut to secure the faucet.
5. Install the faucet spout by screwing into the faucet body until it is hand tight.



Connecting to Existing Faucet Configuration

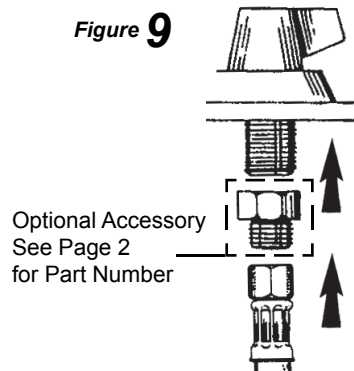
Follow this step if you are not using optional Contemporary Faucet

Note:

If purification system is installed with a non General Ecology supplied faucet, additional fittings may be required to connect into existing plumbing. See "Alternate System Configuration" on Page 2 for general plumbing layout

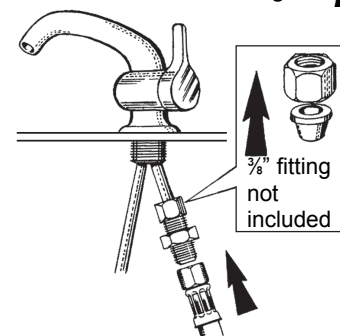
1. Install Optional Adapter Fitting

If kitchen faucet has 1/2" pipe thread stem, connect 1/2" Female Pipe Thread x 3/8" Compression Fitting to cold side of kitchen faucet (**Fig. 9**). Install Connector Hose to this Fitting. Tighten 1/2 turn beyond "finger tight." Do not overtighten.



Optional Accessory
See Page 2
for Part Number

Figure 10



2. Install Connector Hose.

If kitchen faucet has 3/8" tubing tails, install a compression fitting (owner supplied), to cold water side being sure to seat "self-aligning" nut and ferrule in proper orientation (**Fig. 10**). Install Connector Hose to fitting. Tighten 1/2 turn beyond "finger tight." Use wrench to hold fitting—do not twist faucet tail.

STEP 4 Hose Connections to Vessel

Make sure the outlet hose going to your faucet is connected to the center outlet port.

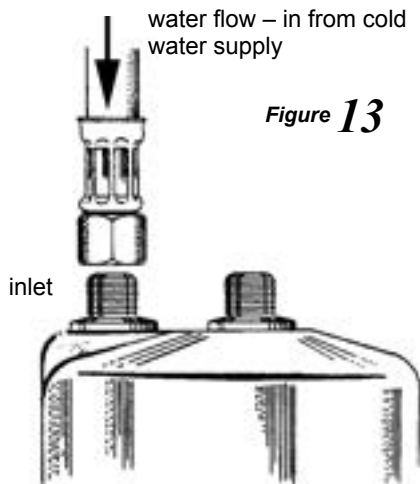


Figure 13

1. Attach Connector Hose from the cold water supply valve to the Inlet Port on the Housing. Tighten connections (Fig. 13).

2. Attach Connector Hose from the kitchen faucet or Contemporary Faucet to top fitting of Outlet Port (center outlet port). Tighten $\frac{1}{2}$ to $\frac{3}{4}$ turn beyond finger tight (Fig. 14). Do not over tighten.

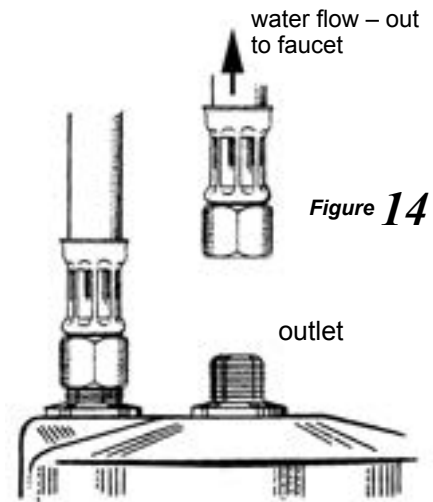


Figure 14

STEP 5 Mounting Bracket Installation

Check location for clearances and ease of access.

1. Install Residential Mounting Bracket. (Fig. 15) Position Mounting Bracket on the inside wall of the sink cabinet. Use the Self-Tapping Screws to securely install the Bracket. Make sure the Bracket location permits access to the cold water valve location and easy access for cartridge changes.
2. Mount unit on the Residential Bracket by placing the V-Clamp over the raised section on top of the Bracket (Fig. 16).

Figure 15

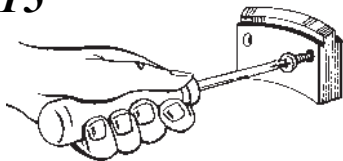
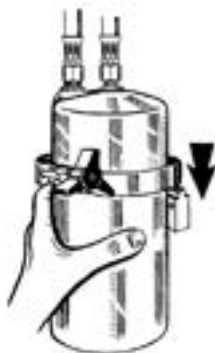


Figure 16



Note:

An optional RV/Marine Clip Bracket can be purchased for a more secure mounting location. Use the self-tapping screws to install the bracket on the inside wall of sink cabinet (Fig. 17).

Mount unit on the Clip Bracket as shown (Fig. 18). A pin can be inserted in the bracket, above the V-clamp to lock in place (see arrow) after unit is completely on the bracket.

Figure 17

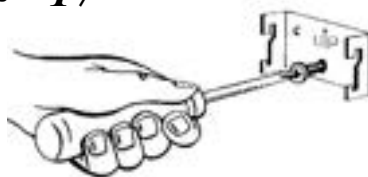


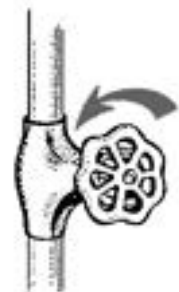
Figure 18



STEP 6 Operation

4. Open the Faucet to allow air to exhaust slowly. Open Valve on cold water service line (Fig. 19). Check for leaks. Allow water to run for several minutes to clear line and system of air and any loose materials. Please note that for the first few days there may be entrapped air bubbles within the water. This is perfectly normal and will cease after the unit has processed several gallons of water. Also, some black "fines" from inside of cartridge may flow with the first few gallons of water. These are harmless, if consumed, or may be discarded.

Figure 19

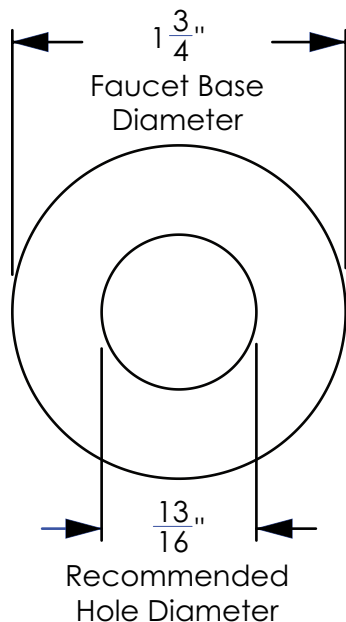


QUESTIONS?
Call 1-800-441-8166
for Customer Service

Faucet Care Instructions

General Ecology purifiers and faucets are manufactured with the finest components available. However, they require proper care to keep them looking their best.

If properly cared for, these finishes can provide a lifetime of elegance. Surface Finishes can be damaged by abrasive cleaners, in spite of their hardness. To clean faucet surfaces properly, use a small amount of a nonabrasive liquid detergent and a soft wet cloth. Gently rub the soiled surface until the dirt is removed. Then rinse clean and wipe with a dry soft cloth to remove water drops and to prevent spotting. Do not use any abrasive or pumice type cleansers to clean the surfaces of these faucets, or you may permanently scratch or otherwise damage the faucet coating. Hard water may leave mineral deposits or "water spots". If not cleaned regularly, these deposits may resist cleaning with simple liquid detergents. These can usually be removed using a small amount of vinegar applied directly and rubbing with a soft cloth. Heavy deposits may require repeated applications.

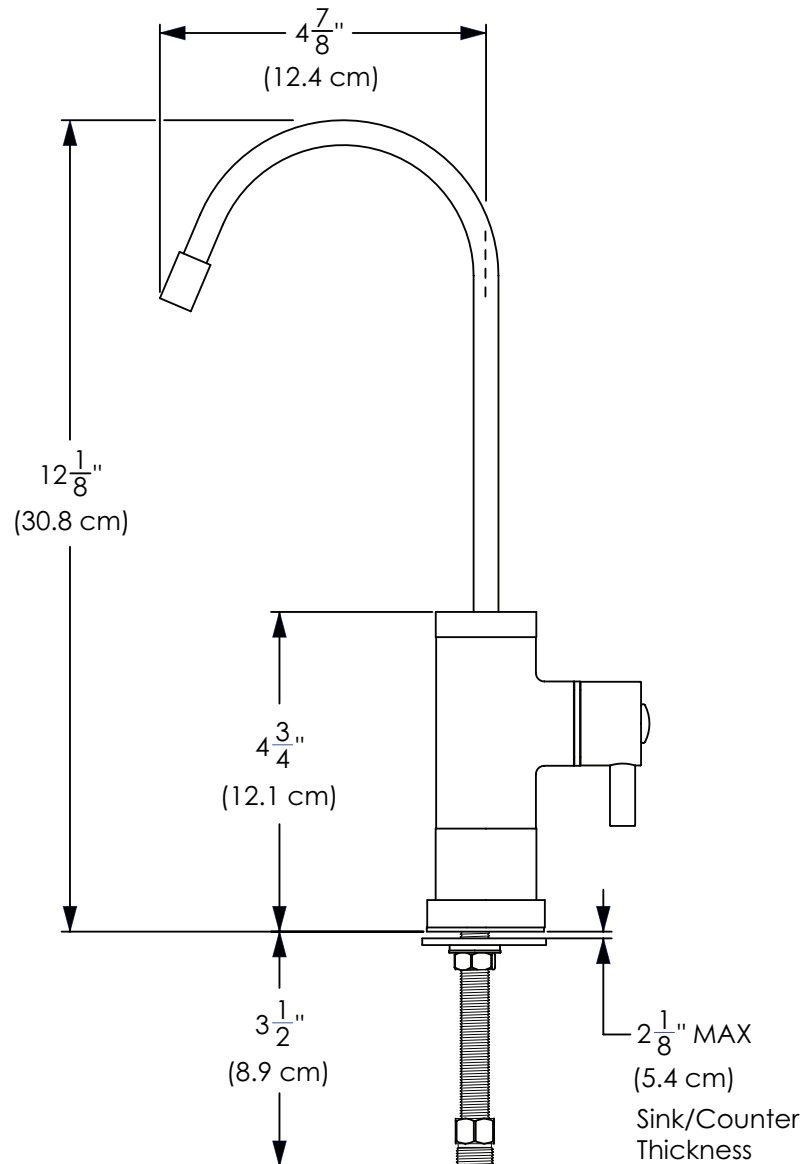


Mounting Hole Pattern

Contemporary Faucet

Important: Cut out and tape the pattern shown above on the sink ledge to locate faucet hole. Check both above and below sink before cutting hole for clearance and possible obstructions.

Contemporary Faucet Dimensions



Contemporary Faucets are offered in a wide variety of finishes. Visit our website for more information:

www.generalecology.com

Service Cartridges

If you cannot obtain a replacement cartridge from your kitchen and bath dealer, you can order directly by calling 800-441-8166 Monday – Friday between 8:00 am - 4:30 pm (est), or visit our online store at:

www.generalecology.com

Cartridge Replacement Instructions

The rated average capacity for the RS-1SG and the RS-2SG Cartridge is 1,000 and 2,000 gallons*, respectively. Actual capacity will vary depending on operating conditions and the quality of the water source. Cartridges should be replaced when the flow rate decreases or when foul tastes or odors become apparent, or annually otherwise. Installing a Cartridge is easily accomplished as follows:

- A.** Close cold water supply valve.
- B.** Open Faucet, and keep it open until new Cartridge is installed and operating.
- C.** Remove unit from Mounting Bracket, place over a large sauce pan or other container, remove V-Clamp and drain loose water from Pressure Vessel. (If Pressure Vessel halves remain attached due to "set," pull apart manually or momentarily allow a small amount of water to flow into the unit with the faucet closed to separate the halves. If faucet is closed, be sure and reopen before continuing with next step).

- D.** Remove expended Cartridge by placing plastic bag over it and turning counter clockwise. Close bag and discard. Rinse inside of Pressure Vessel with water and wipe clean with paper towel. Be sure thick Rubber Cartridge Seal is inside the top of the unit.
- E.** Align carefully, and being careful not to cross thread, thread new Cartridge into place UNTIL CONTACT IS FIRST MADE WITH SEAL, THEN TIGHTEN ONE QUARTER TURN ONLY. DO NOT OVERTIGHTEN. Please refer to **Step 1** and **Figure 2**.

- F.** Reassemble the two stainless steel halves together, making sure the rubber Housing Gasket is in place between the two halves.
- G. IMPORTANT:** Make sure Gasket is not cut or nicked, and be sure housing has not been dropped or dented on either of the two mating halves.
- H.** Refer to **Step 6** on **Page 7** to place unit back in service.



Helpful Hints

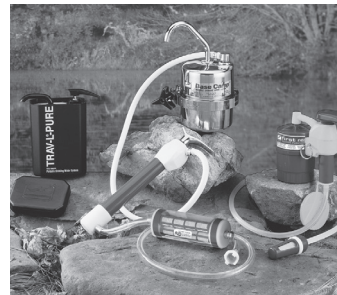
If you have difficulty separating the upper and lower halves of the pressure vessel, water pressure can help. Turn off cold water supply; remove the V-clamp and close the pure water faucet. With a pan ready to catch water from the unit, slowly turn on the water supply. Once the unit begins to separate, turn off the water supply and proceed according to your Installation and Operations instructions.

You may apply a light coating of petroleum jelly to the housing gasket to assure ease of opening and closing of the system.

When a new cartridge is put into service, you may see air bubbles and black particles in the water until the system has stabilized. These are harmless and will be purged from the system within the first few liters or quarts of water.

* performance may vary according to influent water quality

Other Great Products Available from General Ecology, Inc.



First Need® Portable Water Purifiers



Seagull®IV X6 Water Purification Systems

WARRANTY

Refer to the Warranty Card. Please remember to complete and return the Warranty Card within ten days of purchase. You can also register online at www.generalecology.com



General Ecology, Inc.
A Loar Group Company



AS9100, EN9001, JISQ9100, ISO9001
Original Equipment and FAA PMA Manufacturer